

IN18S2及IN25S2電熱水器配備原廠低壓式混合水龍頭及花灑配件，適用於單點使用。

IN18S2 and IN25S2 are non-pressure water heaters designed for single-point application.

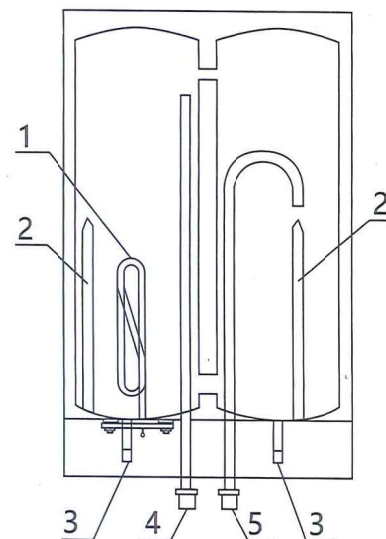
警告

若用戶需要安裝任何非隨機配件，必須先與本公司認可之技術人員聯絡，否則本公司將有權拒絕提供任何保養服務。

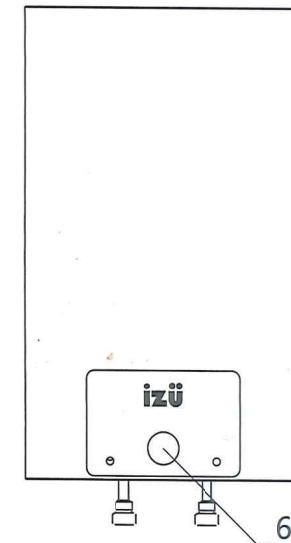
Warning

Each unit is equipped with a standard open-outlet mixer and a shower set. Please install water heater in accordance to the instructions stated on this booklet. IZU will NOT provide warranty service on any product installed with unauthorized components or devices.

| | |
|-------------------------------------|--|
| 不鏽鋼內膽 Stainless Steel Inner Tank | 頂級耐腐蝕特殊不銹鋼內膽，採用氬弧韌焊技術，確保防銹、耐壓，不受水質侵蝕。 Ultra-durable heavy guage stainless steel inner tank is assembled by TIG welding technology. It ensures an operation entirely free of rust, corrosion, leakage and deformity. |
| 保溫設計 Thermal Insulation | 完密噴注式保溫層，使用先進合成樹脂纖維材料，保持熱水溫度，同時將失溫程度減至最低，大大節省電能。 Optimal heat insulation is achieved by injected polyurethane foam. |
| 發熱管 Heating Element | 高質發熱管，發揮最高導熱效能，并內置超溫斷路器，確保安全。 High-quality heating element with built-in thermal cut-out ensures maximum thermal efficiency and safety. |
| 溫度調節器 Thermostat | 溫度調節器自動恆溫，保持水溫在預調溫度，節省能源，并配合個人使用熱水的習慣。 Thermostat provides automatic temperature control at preset temperature to accommodate individual bathing habits and save energy. |
| 外殼 Exterior Casing | 採用堅固防侵蝕金屬片，原裝多層焗油。 Constructed of corrosion-proof metal with multi-layer finishing. |
| 符合規格 Conformity | 機電工程電氣產品（安全）規例。 Electrical Products (Safety) Regulations, Hong Kong. |
| 認證標準 Certifications | IEC 60335-2-21 IEC 62233 |



- 1 發熱絲
- 2 測溫器
- 3 排水管
- 4. 出水位（熱）
- 5 入水位（冷）
- 6 恆溫器



- 1 Heating Element
- 2 Temperature Probe
- 3 Drain
- 4 Outlet (Hot Water)
- 5 Inlet (Cold Water)
- 6 Thermostat