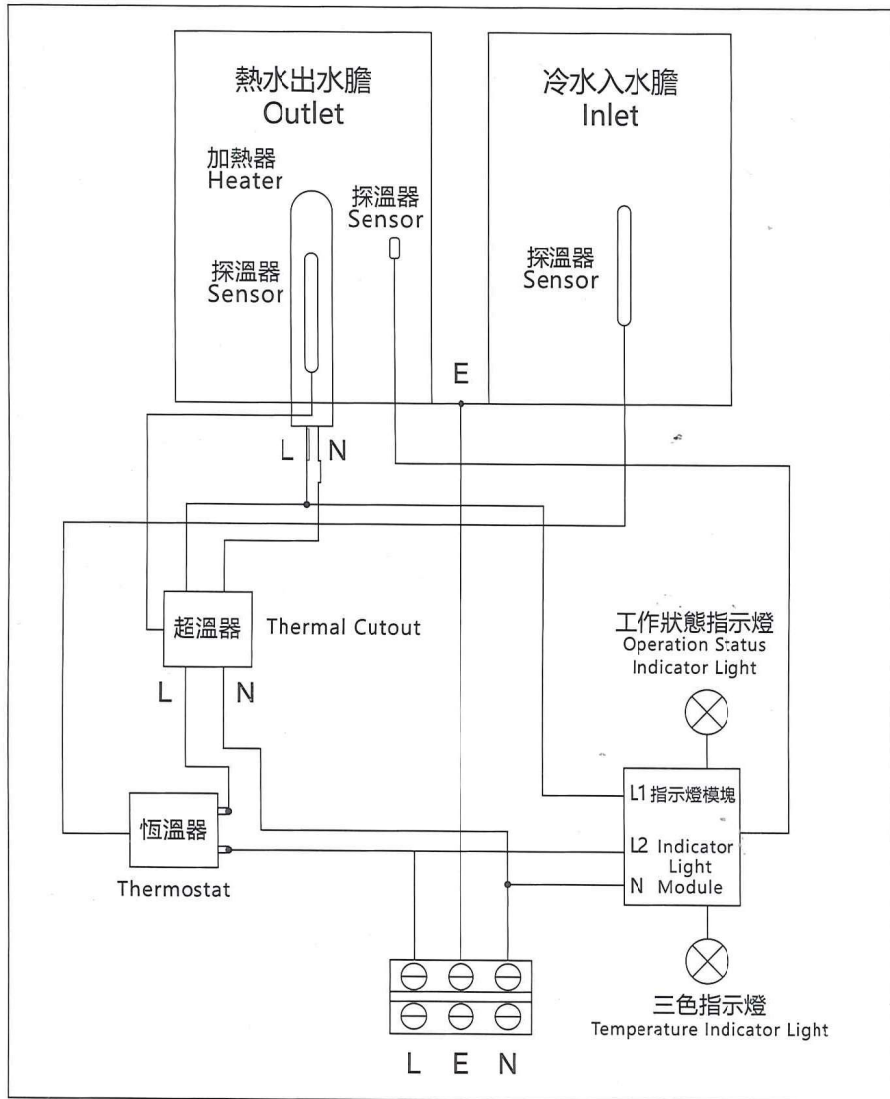


IN



電熱水器電氣原理圖

Electric Water Heater Wiring and Schematic Diagram

! 警告

1. 必須嚴密看管兒童，防止他們接觸及把玩熱水器，以免燙傷、觸電或受傷。
2. 嚴禁兒童及殘疾人士在無監護人看管的情況下單獨使用熱水器，他們應在成人指導下使用本產品。
3. 若設置溫度超過50°C，會有燙傷危險，所以必須混合冷水後才使用。
4. 電源進線段應加裝漏電保護裝置，漏電保護裝置的額定動作電流應不大於30mA。
5. 用戶須每兩年自行安排合資格技師進行檢查，以確保產品安全性。

! Warning

1. Do not allow Children to touch or play with the water heater. Supervision is required during use, in order to prevent the danger of a scald, electrical shock or any other injuries.
2. This water heater is not intended to be operated by children or disabled persons alone. They must be supervised by adults responsible for their safety.
3. If the temperature is set above 50°C, cold water must be mixed in to prevent the danger of a scald.
4. An electric-leakage protection device must be installed to the power inlet. The electric current of this protection device should be below 30mA.
5. User shall arrange qualified technician to check the device regularly to ensure its safety.

停水期間

停水時不應將熱水器內之存水用盡，否則會導致發熱線損壞。恢復供水後，應先扭開熱水掣直至有水從花灑流出。待內膽注滿水後，用戶便可重新開啟電源。

Water Shortage

During water shortage, do not drain water from inner tank. The heating element would be damaged if it is not submerged under water. When water supply resumes, turn on hot water tap and let water flows through the shower head before switching on the power.