

### 接電方法

由電箱獨立伸延一條適合之電線至浴室門外接駁獨立開關掣，再將電線伸延至熱水器穿進線夾接到電線排上分別接上水線(N)，火線(L)，及地線(≡)等。

### 電源開關掣

設於熱水器外用以切斷電源供應之開關掣，應全極切斷電源，兩極之間應保持最少3mm距離。

於浴室內安裝本電熱水器時必須遵照IEE之有關電線安裝條例，用規格不低於1.5mm<sup>2</sup>的電線接駁。電源開關應採用有顯示燈類型，當用戶需要作任何內膽清洗或維修，必須先切斷電源。

### 測試使用

水喉與電源接駁妥當及內膽注滿水後，便可進行通電。此時指示燈會亮著，用戶便可將自動恆溫旋鈕調校至最高度數。當溫度達到75°C時，恆溫器即會自動停止加熱。選擇適當溫度後不應以恆溫旋鈕當作開關掣使用，因此舉會縮減該配件之使用壽命。

### Electric Wiring

Use an independent wire leading from the meter box and connect it to an independent on/off switch outside bathroom. Extend the wire through the grey wire grip on the water heater. Dismount the bottom plate and wire up Neutral (N), Life (L) and Earth(≡) terminals.

### Power Switch

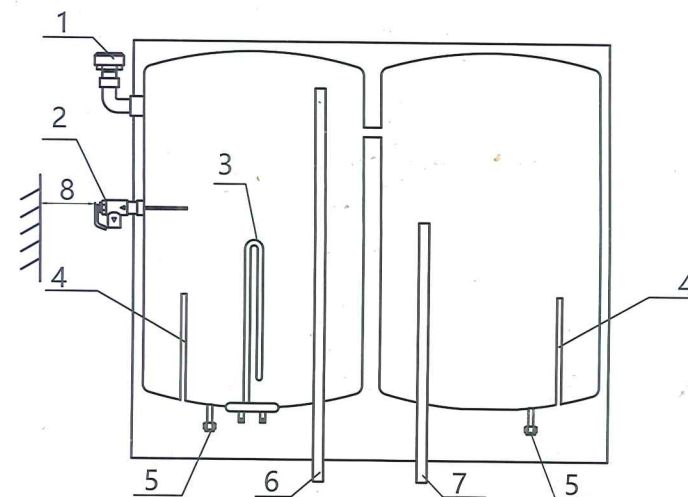
The external switch is used to completely disconnect water heater from power supply. It should disconnect all poles, and a contact separation of at least 3mm must be present.

IEE wiring regulations should be complied when the water heater is installed in the bathroom. The specification of the electric wire used must be no less than 1.5mm<sup>2</sup>. The power switch should have an indicator light. The power must be off before starting a process to clean or repair the inner tank.

### Testing

Once the piping and wiring are connected and inner tank has been filled up with water, switch on the power. The indicator light will be lit. Turn control knob to the desired temperature (Max. temperature is 75°C). Do not use the control knob as an on/off switch.

### 安裝示意圖 Installation Diagram



- 1 防真空閥
- 2 溫度壓力閥
- 3 發熱芯
- 4 探溫頭
- 5 排水管
- 6 出水口
- 7 入水口
- 8 距離大於4英吋

- 1 Anti-Vacuum Valve
- 2 Pressure&Temperature Relief Valve ( PTV )
- 3 Heating Element
- 4 Temperature Probe
- 5 Drain
- 6 Water Outlet
- 7 Water Inlet
- 8 More than 4 inches